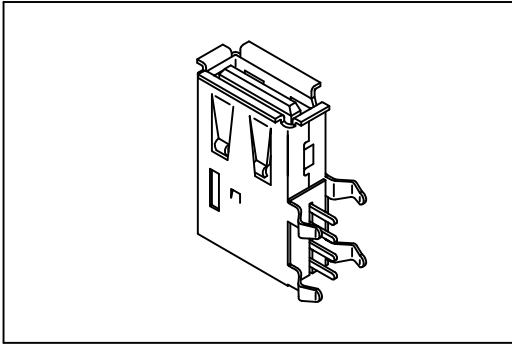


6002 Series

USB A Type Upright Type



Material:

Housing: PBT UL94V-0.

Contacts: Phosphor Bronze.

Shell: 0.4 Brass Ni100u".

Plating: Selective Gold Plated.

Electrical Characteristics:

Current Rating: 1 AMP.

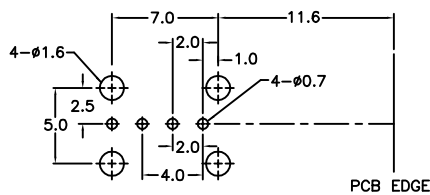
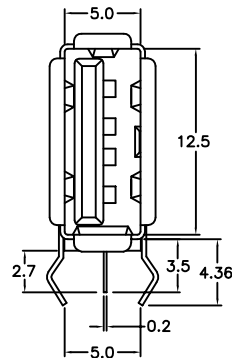
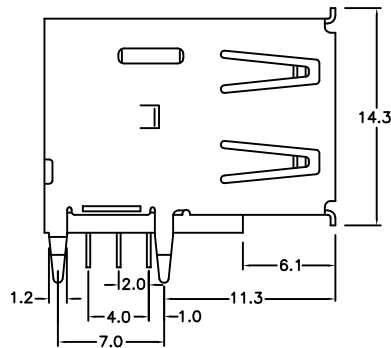
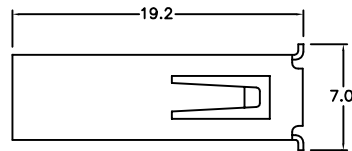
Insulator Resistance: 1000MΩmin. at DC 500V.

Contact Resistance: 30mΩmax. at DC 100mA.

Operating Temperature: -40°C~+105°C.

Features:

- * Compact and low profile design for saving space.
- * High reliable contact with low insertion force.
- * Straight and right angle type facilitate engineering design.



P.C. Board Layout
(Top View)

Ordering information

6002

04

3

10

W

Series

Position

3: Selective Gold Plated

10: Upright

W: White PBT